



BA-Nr.: 02.07.101/2023-10-A01



**REBOTEC®** Rehabilitationsmittel GmbH  
DE-49610 Quakenbrück, Artlandstr. 57-59  
Phone: +49 (0) 5431/9416-0  
Fax: +49 (0) 5431/9416-66  
Web: [www.rebotec.de](http://www.rebotec.de)  
Email: [info@rebotec.de](mailto:info@rebotec.de)



# User Manual

## DUBAI

### Toilet wheelchair with washing function

<b>Dubai</b>	
<b>REF</b>	<b>329.05.XX.</b>
	<b>150 kg</b>

XX = colour code



Figure similar



Read User Manual **before using the product for the first time** and keep it at hand for the user as well as for future use and provide it to the purchaser in case of subsequent sales.



## Table of contents

<b>1</b>	<b>Product description</b> .....	<b>3</b>	<b>12.8</b>	<b>Removing the bidet cushion pad</b> .....	<b>10</b>
1.1	Introduction .....	3	12.9	Removing/filling the water tank .....	10
1.2	VEBRA User Manual .....	3	<b>13</b>	<b>Electrical elements</b> .....	<b>10</b>
<b>2</b>	<b>Features</b> .....	<b>3</b>	<b>14</b>	<b>Troubleshooting</b> .....	<b>10</b>
2.1	Intended purpose .....	3	14.1	General .....	10
2.2	Use .....	3	14.2	Toilet attachment fault .....	11
2.3	Storage & transport.....	4	<b>15</b>	<b>Cleaning &amp; disinfection</b> .....	<b>11</b>
2.4	Equipment & functions .....	4	15.1	General .....	11
2.5	Packaging .....	4	15.2	Cleaning.....	11
2.6	Disposal .....	4	15.3	Cleaning the shower arm .....	11
<b>3</b>	<b>Symbols &amp; nameplates</b> .....	<b>4</b>	15.4	Disinfection .....	11
<b>4</b>	<b>Safety instructions</b> .....	<b>5</b>	<b>16</b>	<b>Maintenance</b> .....	<b>12</b>
<b>5</b>	<b>Incident reporting</b> .....	<b>6</b>	<b>17</b>	<b>Circuit diagram - connection</b> .....	<b>13</b>
<b>6</b>	<b>Warranty</b> .....	<b>6</b>	<b>18</b>	<b>Spare parts &amp; accessories</b> .....	<b>14</b>
6.1	Complaints .....	6	<b>19</b>	<b>Drawing &amp; dimensions</b> .....	<b>15</b>
<b>7</b>	<b>Reuse, lifetime</b> .....	<b>6</b>			
<b>8</b>	<b>Scope of delivery</b> .....	<b>6</b>			
<b>9</b>	<b>Setting up for use</b> .....	<b>6</b>			
9.1	Folding down the footrests .....	6			
9.2	Adjusting the footrest height .....	6			
9.3	Mounting the backrest .....	7			
9.4	Water tank installation .....	7			
<b>10</b>	<b>Toilet attachment function test</b> ....	<b>8</b>			
<b>11</b>	<b>Product information</b> .....	<b>8</b>			
<b>12</b>	<b>Operation of the product</b> .....	<b>8</b>			
12.1	Sitting down.....	8			
12.2	Getting up .....	9			
12.3	Swivelling down the armrests.....	9			
12.4	Removing the footrests .....	9			
12.5	Parking brake operation .....	9			
12.6	Handling of the toilet bucket .....	9			
12.7	Handling the power supply cable .....	10			

## 1 Product description

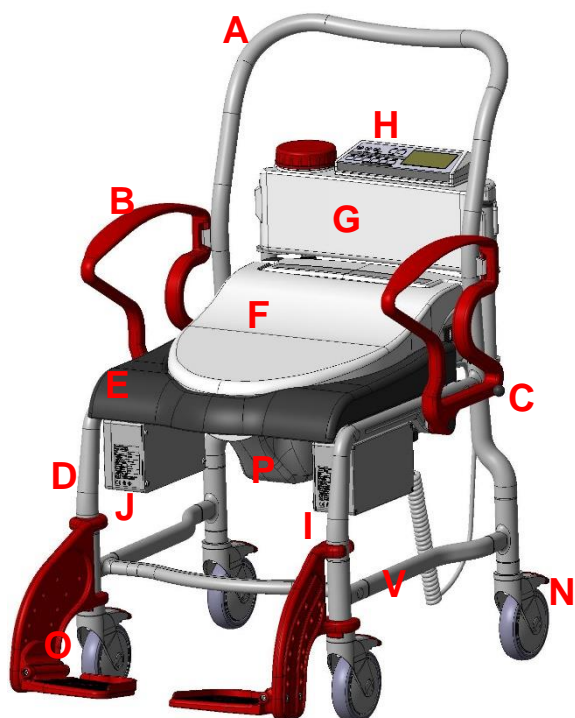


Figure shows:

A	Backrest
B	Armrest
C	Locking bolts
D	Chair frame with struts
E	PUR bidet cushion pad
F	Toilet seat with lid
G	Water tank with lid
H	Remote control with holder
I	Power supply
J	Pump control/water pressure
N	Wheel insert, complete, with brake
O	Foot support with footrest (adjustable)
P	Bucket with hygiene cut-out
V	Product nameplate

### 1.1 Introduction

- The product described here is a medical device of risk class I according to **Regulation (EU) 2017/745 (MDR)**.
- In this User Manual, you will find information on the safe and proper initial operation, use, maintenance and care of this product.
- Read this User Manual carefully before using this product. Follow the safety instructions and act accordingly.

### 1.2 VEBRA User Manual

- This User Manual applies to the Shower-Toilet with Remote Control made by VEBRA GmbH. The User Manual can be downloaded at [www.vebra.de](http://www.vebra.de). It is also possible to print the information and read it out when needed.

## 2 Features

- This product is designed for people with adult body proportions. They should weigh
  - 40 to 150 kg
  - and be at least 146 cm tall.

### 2.1 Intended purpose

- The product is intended for the care of patients with limited ability to stand and/or walk. It facilitates going to the toilet, even if a conventional toilet or bathroom is out of reach. The patient must have sufficient sitting ability and upper body musculature. If necessary, a nurse must be present during use. The product is not intended for prolonged sitting or transfer. The product has a bidet function and can be used without a water connection.

#### Specification:

- Maximum user weight: 150 kg
- Height-adjustable footrests
- Wheelchair, 4 swivel castors, lockable
- Indoor use.

#### Indication

- Use in domestic and inpatient settings.
- Medical condition of the patient:
- The use of a chair by patients with cognitive disorders (reduced mental, physical, sensory or intellectual abilities) must be decided in advance by a medical decision (prescription of the product) or on site by nursing personnel.

### 2.2 Use

- Temperature range: 5 °C to +35 °C; direct radiant heat on the product must be avoided.
- Relative humidity: 40% to 75%. Outside of these conditions, the product must only be used for a short time.
- The product is not suitable for use in swimming pools or saunas, as surface discolouration and limitations of mechanical strength may occur.
- This product may not be used to transport heavy objects.

- There must be a level parking area of sufficient size. See 19.

### 2.3 Storage & transport

- Temperature range: 5 °C to +25 °C; direct radiant heat on the product must be avoided.
- Store the product in dry rooms with a humidity of up to 65%.

### 2.4 Equipment & functions

- The mobile chair consists of a plastic frame with a tube insert and four swivel castors (with wheel lock/brake at the back). Easy to get into and out of from the side due to movable armrests.
- The footrests are height adjustable; can be removed or folded up.
- Due to a removable water tank on the chair, a water supply is not required. Various functions (e.g. hot air dryer, heated glasses, hot water, etc.) and other individual user profiles can be set via a remote control.
- For detailed information on the use, equipment, commissioning and maintenance of the bidet toilet attachment, please visit the manufacturer's official website at [www.vebra.de](http://www.vebra.de) and consult the user manual found there.

### 2.5 Packaging

- We recommend you keep the packaging for later transport.
- Dimensions: 730 mm x 625 mm x 690 mm

### 2.6 Disposal

- Disposal and recycling of used products and packaging must be carried out in accordance with currently valid regulations.
- The chair consists of various composite materials (metal, plastic, electrical components, batteries) and **cannot** be disposed of with regular household waste.
- Please contact a disposal company for further information.
- The Infection Protection Act must be observed.
- Please observe any labels and information on packaging material and act accordingly.

## 3 Symbols & nameplates

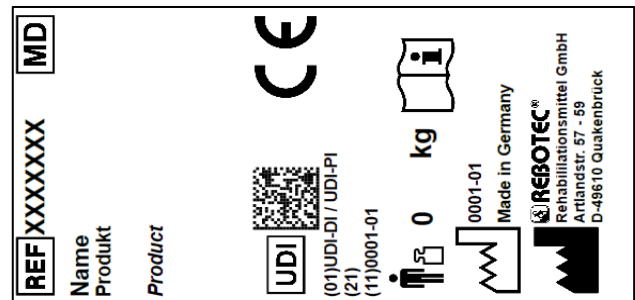


Figure similar.

- The nameplate must not be removed! For ordering spare parts and processing complaints, the device name, serial number and year of manufacture will be required.

Symbol	Meaning	Symbol	Meaning
	Read the manual!		Year of manufacture of product
	Serial number		Important information!
	Product number		Maximum user weight in kg
	Applicable for indoor use only.		Manufacturer
	Importer		Language
	Read the User Manual!		Do not dispose of as household waste.
	The product complies with <b>Regulation (EU) 2017/745 (MDR)</b>		
	Product complies with <b>UK MDR 2002</b>		
	Protect from direct sunlight!		
	Caution! Observe the safety instructions		
	Unique Device Identifier (Data: GTIN / LOT (SN) / year of manufacture)		
	Medical device label This product is a medical device.		
	Article designation / proper name		
	Representative, country code in front.		

## 4 Safety instructions



**Please observe the following safety instructions:**

- Before using the product for the first time, the User Manual must be read completely in order to avoid hazards or damage caused by maloperation.
- Before every commissioning, check whether there is any visible damage to the product.
- In case of malfunction or damage of any kind, the product must not be used.
- Do not leave the patient unattended during use.
- Do not leave children unattended with the product.

### Caution: Danger of falling!

- The product should be used with the help of a trained caregiver, depending on the patient's condition.
- Patients who are prone to uncontrolled actions or movements must be supervised when using the chair.
- The chair may **only** be moved on a slope or incline with the help of a caregiver. Generally, on an uphill slope, the chair should be pushed forward and on a downhill slope, it should be pulled backward.

### Caution: Danger of slipping!

- Always lock the wheel locks/brakes of the rear wheels before using the chair to prevent the chair from rolling away.
- When sitting down, do not sit on the front edge of the seat or on the toilet attachment; the user should take up the entire seat surface.

### Caution: Danger of tipping over!

- The chair must only be used with the armrests locked in place when sitting, moving about and/or adjusting the tilt angle.
- The product may only be pushed by the push handle.
- The footrests must be swung down or folded up before sitting down and standing up. Do not stand on the footrests!
- **Do not** move the chair against door thresholds, edges or other uneven surfaces.
- **Only** use the product indoors and on flat, skid-proof surfaces.
- **Only** move the product at a moderate pace.
- Persons must only be transported in an upright sitting position.

- Never lean out of the chair. If the swivel castors are in an unfavourable position (pointing inwards), the chair's stability is limited.
- Special care must be taken when moving the chair in a tilted position!

### Caution: Danger of breakage!

- The chair is **only** suitable for its intended use. Note the maximum user weight allowed. See 2.
- Do not expose the product to strong temperature fluctuations (2.2 & 2.3).

### Caution: Danger of pinching or catching!

- Do not leave the patient unattended during use.
- When folding the armrests up or down, do not reach into the joint guide to avoid any trapping of body parts etc. in them.
- When folding down the footrests, take care to avoid trapping any body parts. Do not insert any body parts into the cut-out in the heel area.
- When attaching the bidet cushion pad, do not reach between the seat surface and the seat frame so that no body parts are trapped.
- When pulling out and pushing in the toilet bucket, there is a risk of soft parts of the patient being trapped. To prevent injuries, the bucket may only be pulled out or pushed in when no user is sitting in the chair.

### Caution: Risk of injury!

- There is a risk of injury with surface temperatures > 40 °C. Therefore, do not expose the product to high temperatures (e.g. sunlight, radiators, hot water). Allow the product to cool down before use.



*If the product is used by patients with insensitive skin (no temperature perception or skin damage), a heat check (e.g. touching with the back of the hand) must be carried out by the nursing staff.*

### Caution: Mains voltage!

- After using the chair, ensure that it is not live; pull the mains plug out of the socket!
- The housings of the toilet attachment, controls and remote control must **not** be opened.
- Before using the chair, check for pinched or damaged connecting cables.
- Maintenance and repair work may only be carried out by a qualified electrician.



### Attention! Toilet attachment

- The safety instructions for the toilet attachment can be found in the manufacturer's operating instructions on page 4 at [www.vebra.de](http://www.vebra.de).

## 5 Incident reporting

- Serious incidents related to the product must be reported immediately to the manufacturer and the competent authority.
- Use the reporting functions and provided forms.
  - Manufacturer: [pms@rebotec.de](mailto:pms@rebotec.de)

## 6 Warranty

- The manufacturer grants a warranty of 12 months for this product. The prerequisites are the general terms and conditions ([www.rebotec.de/agbs](http://www.rebotec.de/agbs)), as well as the intended use. The statutory warranty provisions shall apply.
- Unauthorised modifications to this product will void the product's conformity and the warranty.

### 6.1 Complaints

- Please contact us before returning the product.
- To reduce transport damage, use the original packaging if possible.
- In order to exclude a faulty spare part order and to ensure a quick processing of the complaint, please indicate the product name, serial number (SN) of the product. You will find this information on the nameplate of the chair.
- The Infection Protection Act must be complied with.
  - Please make sure that the product does not pose a risk of infection when returned.
  - Enclose the information sheet on safety with the product. Costs may be incurred for returns that are not marked as harmless.

## 7 Reuse, lifetime

- The product is suitable for reuse. How often the product can be reused depends on the frequency and nature of use.
- Before reuse, the product must be reprocessed hygienically and the technical and functional safety and reliability of the product must be checked and restored if necessary.
  - For more detailed information, please see the reprocessing instructions (02.12.156) and the maintenance instructions (02.11.150).

- The documents can be downloaded from the following link.

- [www.rebotec.de/downloads](http://www.rebotec.de/downloads)

- When used as intended, the product has a lifetime of 5 years. The effective lifetime may vary depending on the frequency and intensity of use and the general condition. A longer service life is possible with a lower intensity of use.

## 8 Scope of delivery

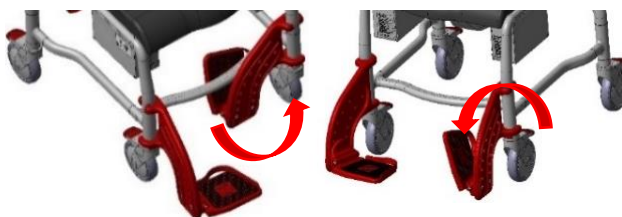
- 1x Toilet wheelchair with washing function
- 1 x Backrest
- 1x Water tank with screw-lid
- 1x Bucket with hygiene cut-out
- 1 x Accessories box
- 1x User Manual, **REBOTEC** Chair
- 1x User Manual, **Vebra** Toilet Attachment
- 1x Quick Start Guide, **Vebra** Remote Control
- The reprocessing and maintenance instructions can be ordered or viewed and downloaded at [www.rebotec.de/downloads](http://www.rebotec.de/downloads).

## 9 Setting up for use

- The product has been carefully inspected in the factory for freedom from defects and completeness. Please check the product for any possible damage which may have occurred during transport and for completeness of the scope of delivery upon receipt.
- The device is delivered pre-assembled in the box. Before using the device for the first time, the following assembly processes must be carried out:

### 9.1 Folding down the footrests

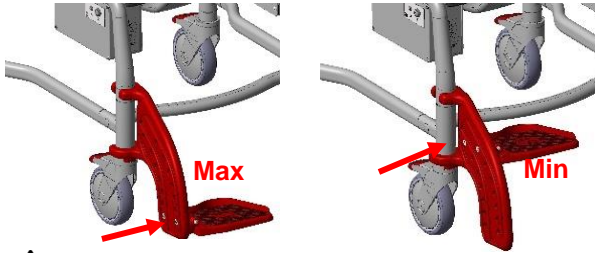
- First swivel the footrests upwards and then slightly lift the footrest. The footrest can now be folded back to the side.



### 9.2 Adjusting the footrest height

- The footrest height can be adjusted in 4 positions. Loosen and remove the screws on the side of the footrest using an Allen key (SW 5). Select the

appropriate height (1-4) and screw the footrest back in place. Make sure that the screws are firmly tightened!

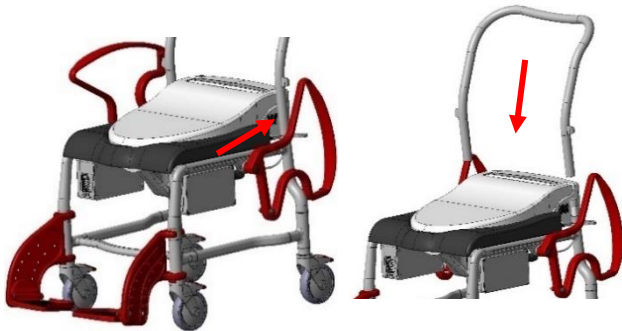


**Caution: Danger of pinching or catching!**

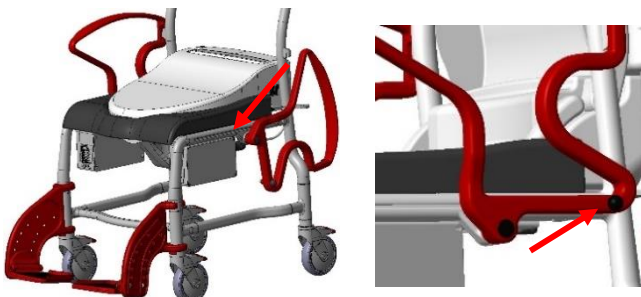
- Check the locking mechanism at regular intervals, as possible limescale deposits on the locking mechanism can impair function and smooth operation.

### 9.3 Mounting the backrest

- Swivel the armrests backwards, place the backrest on the tubes of the chair frame and push it onto the base frame as far as it will go.



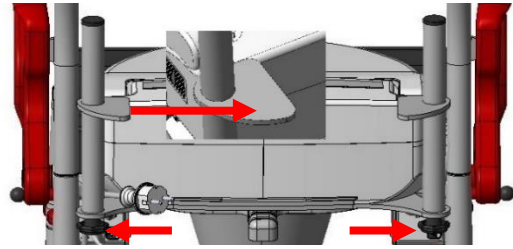
- Swivel the armrests forwards again so that they engage in the groove on the backrest and with the locking bolt in the base frame.



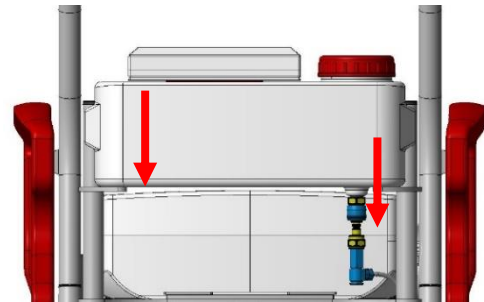
### 9.4 Water tank installation

- Screw the two holders for the water tank onto the plate located at the end of the chair hand-tight with

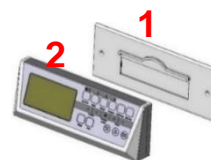
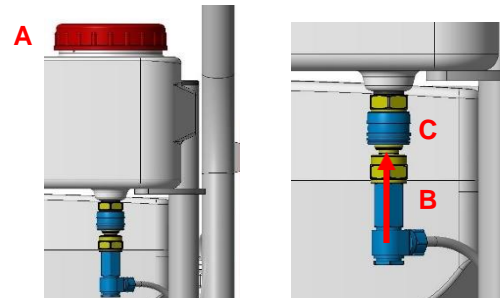
the two star handle screws. Note the direction of support



- Push the water tank onto the two holders as far as it will go.



- Press the fuel filler cap (A) with one hand. With the other hand, insert the angle valve (B) into the valve opening (C) under the water tank with a little pressure until it engages. Check the tight fit by pulling with your hand.



- For mounting the bracket (1) remote control (2), use the operating instructions of the toilet attachment/manufacturer: [www.vebra.de](http://www.vebra.de). Attachment, storage or bringing the remote control along with the patient is freely selectable.

## 10 Toilet attachment function test



**A function test can only take place if the sensors on the glasses have contact or are triggered.**



**Note the following tests:**

- Before commissioning, it is advisable to check the electrical cable connections and to fill the water tank completely so that the water can flow through unhindered. This is particularly important as there may still be air in the pipe.
- Check all screw connections again for water tightness.
- Insert the batteries into the remote control.
- To test the function, please place your hand on the sensor.
- When you switch on the 'Wash' function on the remote control, a light water rinse is performed first to clean the nozzle. The water will then come out and lightly spray.
- The spraying function only lasts for a set time and when you get up from the seat, the spraying stops immediately.
- You can also switch on the 'blow-dry' function using the remote control. This causes warm air to flow out of the open flap and start the drying process.
- In addition, the seat surface also heats up in the process, and you have the option of adjusting the heat settings via the remote control.
- Seat temperature control:
  - when the seat temperature has reached 34°C or more, the indicator on the remote control lights up red
  - when the seat temperature is below 33°C, the indicator on the remote control lights up blue.



*To put the remote control and the toilet attachment into operation, we recommend following the manufacturer's instructions in the [www.vebra.de](http://www.vebra.de) user manual and quick start guide. This manual can also be printed out and read out if required.*

## 11 Product information

- We reserve the right to make technical developments and improvements with respect to the design shown in this User Manual. See 19.

Field	Value
<b>DUBAI</b>	
Product weight*	25 kg
Total weight*	28.4 kg
Skin sensitivity	DIN EN 10993-1/-5
Flammability**	DIN EN 1021-1/-2

\*Without accessories.

\*\*Flame-retardant: For products made of PUR material.

## 12 Operation of the product



**Attention: Danger of falling!**

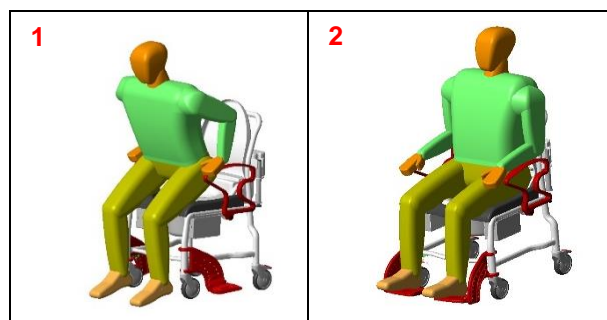
- Before use, it must be ensured that the chair is in a proper and safe state of use.
- If necessary, depending on the patient's limitations (adequate mobility and muscle strength), sitting down and getting up must be done with the help of a caregiver. Subsequent adjustments may **only** be made by qualified personnel!



*For commissioning the remote control and the toilet attachment, use the manufacturer's user manual and quick start guide: [www.vebra.de](http://www.vebra.de). It is also possible to print the information and read it out when needed.*

### 12.1 Sitting down

- Before sitting down, make sure that the chair is secure against slipping away and tipping over, **at least two wheels are braked, both armrests** are properly engaged, toilet seat is folded up, the footrests are folded away or up at the sides. (height adjustment at the lower end position)



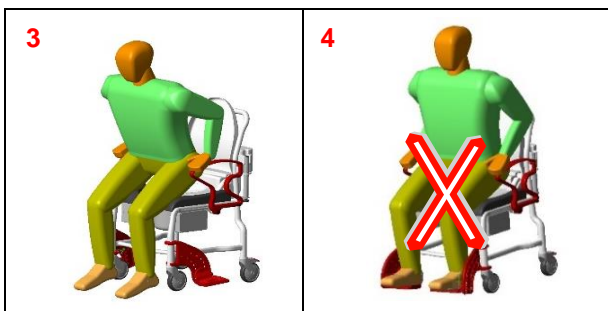
- The patient must position themselves as close as possible to the product. By supporting themselves on the two armrests, the patient should slowly sit down on the cushion.
- If this is not possible due to their physical limitations, support must be provided by the nursing staff. If necessary, the use of a lifting aid or patient lift is advisable.

**Caution: Danger of falling!**

- Avoid slumping down on the toilet seat. The patient should sit fully on the toilet seat, if possible, and not only on the edge of the seat.

**12.2 Getting up**

- Before standing up, make sure that the product is securely positioned to prevent it from slipping or tipping over, that **at least two wheels are braked**, that the armrests are properly engaged, that the footrests are folded to the side or up and that the patient is sitting upright.
- The patient should move forward on the toilet seat until their feet are on the floor.



- The patient must support themselves with their arms on the armrests and slowly rise from the seat. The patient must not lean their body too far forward to avoid a potential risk of falling.
- The patient should be helped to stand up by the nursing staff.

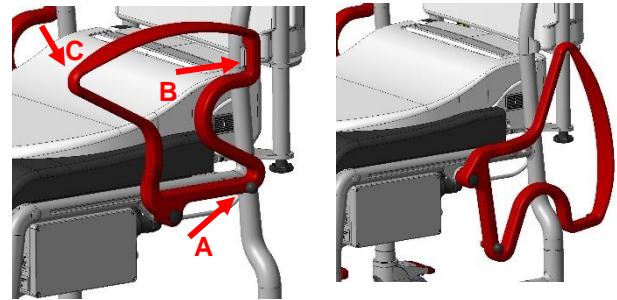
**Caution: Danger of falling!**

- The patient must never use the footrests to support their weight when sitting down or getting up (getting into and leaving the chair).

**12.3 Swivelling down the armrests**

- Pulling out the locking bolts (A) releases the locking mechanism, and the armrests can be swivelled backwards. When folding up the armrest, check that the catch on the backrest (B) and the locking bolt (A) are seated correctly.
- The armrests are to be swivelled with both hands.
- To do this, keep the locking bolt (A) pulled during the entire swivelling process and guide the armrest to point (C) with the other hand. Only touch the outer area and do not reach into or through the armrest.
- Check the locking mechanism at regular intervals, as possible limescale deposits on the locking

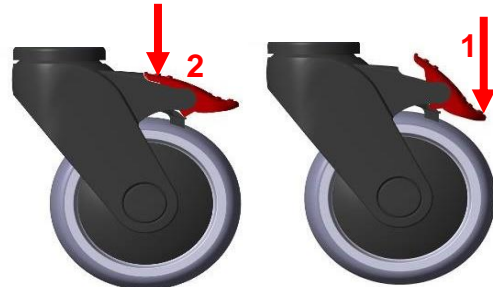
mechanism can impair function and smooth operation.

**12.4 Removing the footrests**

- Raise the footrest by approx. 100 mm and turn it outwards by 90 degrees.
- Now you can push the footrest all the way up and pull it out.

**12.5 Parking brake operation**

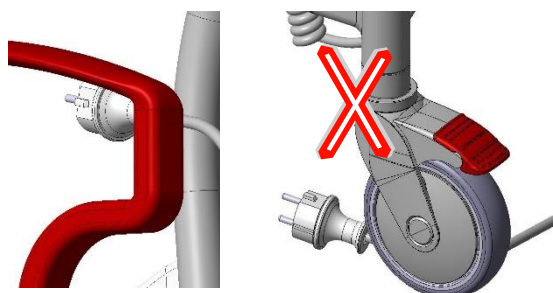
- With your foot, press down the parking brake lever (1). The wheel is now braked and fixed in its direction. The wheel is released by lifting the actuating lever with the foot (2).

**12.6 Handling of the toilet bucket**

- From the back of the chair, slide the bucket under the seat. To remove the bucket, pull it out backwards by the handle.
- From the back of the chair, slide the bucket under the seat. To remove the bucket, pull it out backwards by the handle.
- When pulling out and pushing in the toilet bucket, there is a risk of soft parts of the patient being trapped. To prevent injuries, the bucket may only be pulled out or pushed in when no user is sitting in the chair.
- When pulling out and pushing in the toilet bucket, there is a risk of soft parts of the patient being trapped. To prevent injuries, the bucket may only be pulled out or pushed in when no user is sitting in the chair.

## 12.7 Handling the power supply cable

- After using the chair, hook the power supply cable between the left armrest. This prevents possible damage when driving over the power supply cable.



## 12.8 Removing the bidet cushion pad

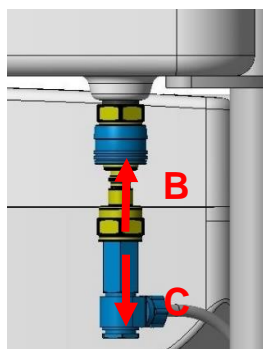
- The bidet cushion pad can be removed from its locked position on the chair frame by lifting it off for cleaning or replacement.

## 12.9 Removing/filling the water tank

- The water flow valve has a water stop on both sides so that no water can run out of the water tank and the hose to the pump when the valves are separated.

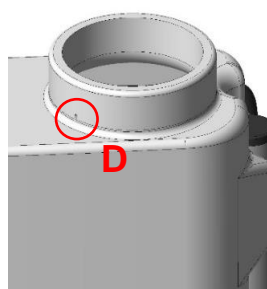
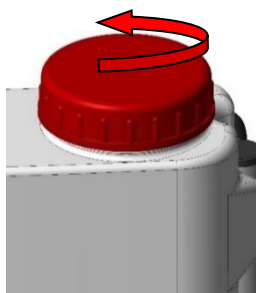


- Press down on the fuel filler cap (A) from above with one hand.



- With the other hand, push the sleeve (B) upwards with your thumb and simultaneously pull the angle valve (C) out of the valve opening.
- The water tank can now be removed upwards.

- Unscrew (turn to the left) the tank cap (red) to fill in water through the opening in the water tank container. After filling (approx. 5 litres), close the fuel filler cap again (turn to the right).



- The air vent (D) must always be open.

## 13 Electrical elements



### Observe the safety instructions

- Determine if the connection cable or connector is damaged. Do not use damaged cables or plugs.
- The socket must be protected by a residual current circuit breaker (30mA).
- Pay attention to the power supply voltage (100-240 V / 50/60 Hz).**
- The installation of the electrical components and tests are carried out by a qualified electrician.

## 14 Troubleshooting

### 14.1 General

Fault	poss. cause	Remedy
Armrest cannot be swivelled down	Deposits in the locking mechanism (locking bolt)	Cleaning, regular checking
Locking bolt cannot be pulled out	Deposits, tension spring jammed or defective	Cleaning, replacing the locking bolt
Footrest cannot be folded down	Deposits in the joint, bracing	Cleaning, checking screw connection
Wheel lock does not brake	General defect	Maintenance!
The wheel is stiff	Deposits	Cleaning
Wheel does not turn	General defect	Maintenance!
Wheel runs unevenly	Severe uneven tread wear	Maintenance!
Chair frame too unstable	Screw connections too loose	Tighten the screw connection on the frame and wheel inserts
Wheel insert bent	Hitting an obstacle	Maintenance!
Faults on toilet attachment	Various	See manual Manufacturer
Green LED flashes and water does not flow	Device has shut down due to lack of water Air in the system	Restart via button Repeat if necessary
Green LED does not light up	No power supply	Establish power connection
	Connection to power supply interrupted	Check connection (plug!)



Fault	poss. cause	Remedy
Green LED does not light up	Power supply defective	Maintenance! Replace unit pump
Pump switches on and off continuously at short intervals	Air in the system	Restart system via button
	Connection to toilet seat not watertight	Check connection (plug)
	Loss of pressure downstream of check valve	Maintenance! Replace unit pump
Water leak in housing	Connection or pump not watertight	Remove mains plug! Maintenance! Replace unit pump
Water tank leaking	Connection not watertight	Check hose connection
		Check valve

## 14.2 Toilet attachment fault

- The information regarding troubleshooting and fault diagnosis on the toilet attachment can be found in the operating instructions of Vebra GmbH. See page 16.

## 15 Cleaning & disinfection

### 15.1 General

- The product is suitable for machine cleaning and disinfection. Please observe the reprocessing instructions (02.12.158).
  - Only the bucket can be cleaned and disinfected by machine.
- Observe the protection classes of the electronic components.
- Do not use hard objects such as scrapers, wire brushes, or metal sponges.
- Observe infection control. Disinfect the product before reuse.
- Do not mix different cleaning and disinfectant products.

### 15.2 Cleaning

- Gross contamination must be removed immediately after use.
- The seat pad, seat, leg pad and bucket must be removed before cleaning.
  - They must be cleaned and dried separately.
- Use only commercially available detergents with a pH of 5-9.
- Note the mixing ratio information.

- Allow the detergent to act as specified by the manufacturer.
- Remove the cleaning agent without leaving any residue.
- After cleaning, wipe the product with a damp cloth.
- Dry the product with a cloth after cleaning. The product may only be used in a dry state.

#### Exclusions:

- Cleaning agents must not contain chlorine or strong acids.
- Do not use cleaners with added abrasive.
- Do not use a pressure washer.

### 15.3 Cleaning the shower arm

- The description for cleaning the shower arm is noted in the Vebra GmbH user manual on page 15.

### 15.4 Disinfection

- The product is not intended for steam or hot air sterilisation. Observe the operating temperatures (2.2).
- Use only surface disinfectants tested and recognised by the Robert Koch Institute.
  - Permissible agents are those based on (form)aldehyde or alcohol.
- Observe the material approvals of disinfectant manufacturers. The product consists of the following components or materials:
  - Observe the material approvals of disinfectant manufacturers. The product consists of the following components or materials:
    - Polyamide: Frame, armrests, footrests
    - Polyurethane: Seat
    - Polypropylene: Bucket
    - Polythene: Water tank, nameplate
    - Aluminium: Tubes
    - Stainless steel: Screws, washers, nuts
- Note the mixing ratio information.
- Observe the safety instructions from the disinfectant manufacturer.
- Apply the disinfectant by spraying or rubbing over the surface.
- Leave the agent to take effect. Observe the indicated exposure times.
- Depending on the disinfectant, a subsequent wiping with warm water may be necessary.

- Remove the disinfectant without leaving any residue.

**Exclusions:**

- Do not use any alcohol-based products in the area of stickers and nameplates.
- Cleaning agents must not contain chlorine or strong acids.

## 16 Maintenance

- Wear and tear that is not recognised in time and/or improper handling, as well as irregular or no maintenance may result in accidents.



*For safety reasons, the product should be professionally maintained **at least once a year**.*

- Regular safety checks are required:
  - Check the product and accessories for visible damage (cracks, breaks, loose parts)
  - Check stability before use
  - All screw connections for tightness
  - Function of the armrests and locking bolts
  - Function of the footrest
  - Running characteristics and tread of the wheels
  - Function of the parking brakes
  - Electrical cable connections
  - Water hose connections
  - Watertightness of screw fittings and valves
  - Water tank (filling and ventilation)
  - Pump function (ventilation)
  - Toilet function (rinsing, washing and drying)
  - Remote control function



*The maintenance and care instructions for the toilet attachment can be found in the manufacturer's operating instructions on page 15 at [www.vebra.de](http://www.vebra.de).*

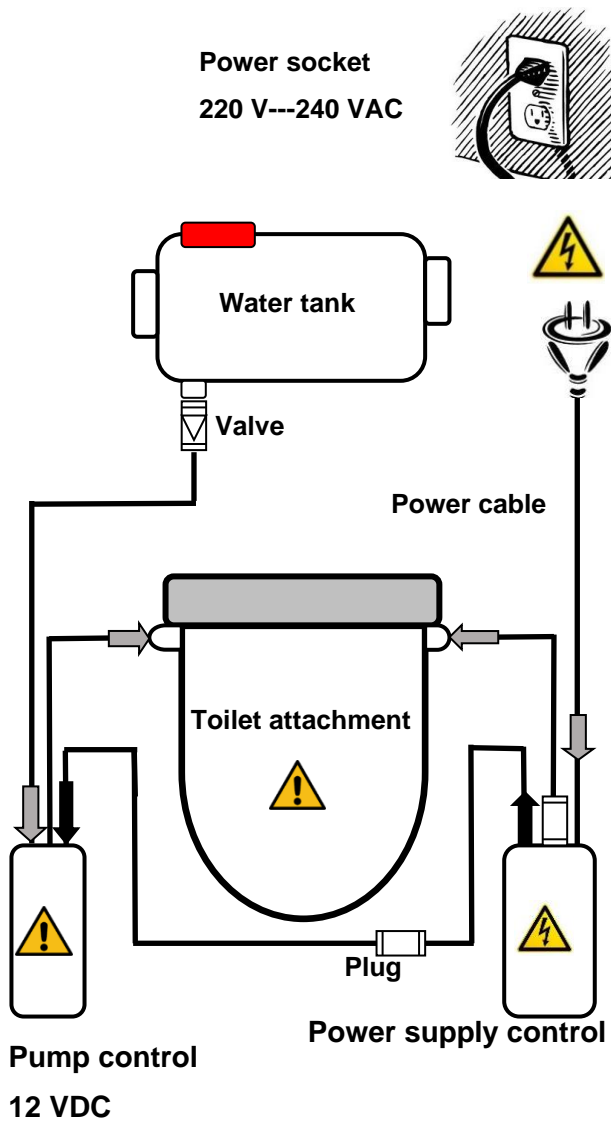
- If you have any questions concerning the maintenance of the product, please contact an authorised dealer or a medical and healthcare supplies store. In the event of damage or a need for repairs, contact your specialist dealer immediately.
- Do **not** make **any** unauthorised changes to the product. This may affect the safety and function of the product. **In such cases, REBOTEC will not assume any liability.**
- Only use the manufacturer's spare parts for repairs. See 18.

- After maintenance or repair work has been carried out, we recommend you clean the product before using it again.
- Please note points 18 and 7.
- *Please observe the maintenance instructions 02.11.150.*
- In case of any issues, do not put the unit into operation or carry out repairs on your own.
  - To do this, contact your local specialist dealer or **REBOTEC**.



**Caution: There is a risk of injury due to slipping and clamping**

## 17 Circuit diagram - connection



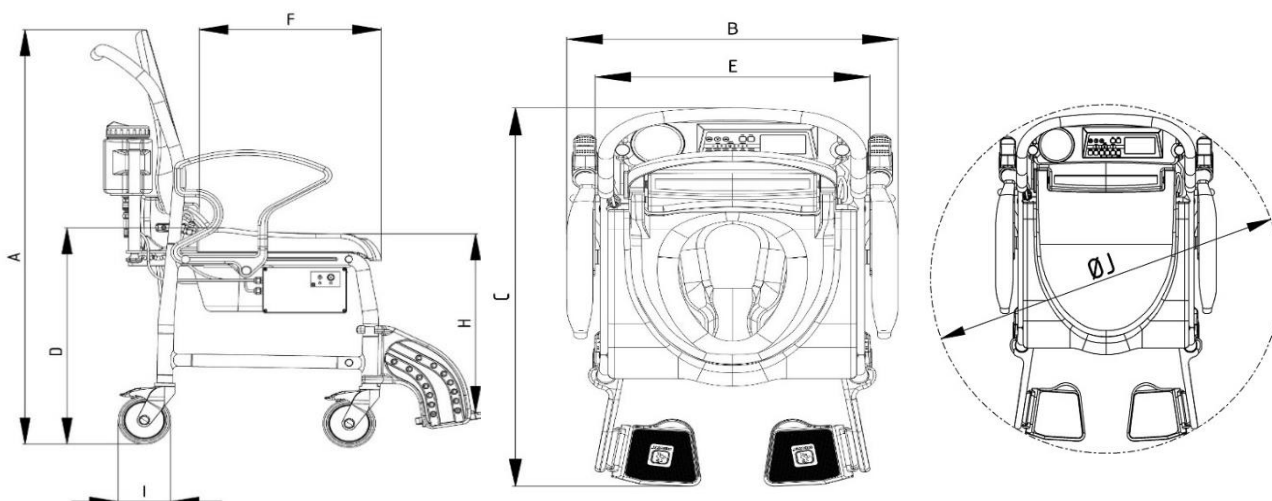
## 18 Spare parts & accessories

No.	Prod. no.	Designation
1	302.00	Toilet bowl for PUR shower seat with hygiene cut-out
2	440.02.92	Set – Back tubes with plug
3	447....57	Left footrest, height-adjustable
4	447....59	Right footrest, height-adjustable
5	447....81	Rear wheel 125 total locker
6	447....83	Front wheel 125 total locker
7	450.10.05	Armrest lock, complete
8	440.10.32	PUR armrest pad
9	440.10.75	PUR - Chair bidet seat cushion pad
10	02.07.101	User Manual
11	02.11.150	Maintenance Instructions
12	02.12.157	Reprocessing Instructions



*Use only REBOTEC spare parts and accessories to ensure the proper and safe functioning of the product.*

## 19 Drawing & dimensions



No.	Designation	Dubai / Dimensions in mm
A	Overall height	1070
B	Overall width	630
C	Overall depth	920
D	Seat height	560
E	Seat width	520
F	Seat depth	400
H	Footrest height	330-480
I	Rear wheel diameter	125
	Front wheel diameter	125
J	Turning diameter	1004

Dimensions and weights may vary depending on the equipment. There might be minor deviations due to production tolerances. Subject to change without notice.

Technical data	
Input/control	220V-240V AC
Power frequency	50 Hz
Input/pump	12 V DC
Protection class	IP 54
Water tank contents	max. 5 litres



EN



**REBOTEC®** Rehabilitationsmittel GmbH  
D-49610 Quakenbrück, Artlandstr. 57-59  
Phone: +49 (0) 5431/9416-0  
Fax: +49 (0) 5431/9416-66  
Web: [www.rebotec.de](http://www.rebotec.de)  
Email: [info@rebotec.de](mailto:info@rebotec.de)



Read User Manual **before using the product for the first time** and keep it at hand for the user as well as for future use and provide it to the purchaser in case of subsequent sales.