



REBOTEC® Rehabilitationsmittel GmbH
 DE-49610 Quakenbrück, Artlandstr. 57-59
 Telephone: +49 (0) 5431/9416-0
 Fax: +49 (0) 5431/9416-66
 Web: www.rebotec.de
 Email: info@rebotec.de



BA-Nr.: 02.06.083/2021-10-A01

User Manual

Shower and toilet chairs

	Toilet chair "Cologne"	Shower chair "Zwickau"	Shower-toilet chair "Constance"
REF	340.XX.YY	332.XX.YY	341.XX.YY
	130 kg	130 kg	130 kg
	Toilet chair "Kiel"	Shower chair "Würzburg"	Shower-toilet chair "Ulm"
REF	347.XX.YY <i>Height adjustable</i>	333.XX.YY <i>Height adjustable</i>	348.XX.00 <i>Height adjustable</i>
	130 kg	130 kg	130 kg

XX= Colour variant YY= Equipment variant



Figure similar



Read this User Manual **before using the device for the first time** and keep it at hand for the user as well as for future use and subsequent sales.

**Table of contents**

1. Product description	3
1.1. Introduction	3
2. Features	3
2.1. Intended purpose	3
2.2. Conditions of use	4
2.3. Storage & transport.....	4
2.4. Packaging	4
2.5. Disposal	4
3. Symbols & nameplates	4
4. Safety instructions	4
5. Incident reporting	5
6. Warranty	5
6.1. Complaint.....	5
7. Reuse, lifetime	5
8. Scope of delivery	5
9. Setting up for use	6
9.1. Assembling the armrests	6
10. Product data	6
11. Operation of the product	6
11.1. Sitting down.....	6
11.2. Sitting down.....	7
11.3. Getting up	7
11.4. Swivelling down the armrests.....	7
11.5. Removing the shower/ toilet seat	7
11.6. Handling of the toilet bucket	7
11.7. Seat height adjustment for the Kiel, Würzburg and Ulm models	7
11.8. Troubleshooting	8
12. Care and maintenance	8
12.1. Cleaning and care	8
12.2. Maintenance.....	8
13. Spare parts & accessories	9

14. Drawing & dimensions	10
---	-----------

1. Product description



Figure shows:

A	Backrest
B	Armrest (swivelling)
C	Locking bolts
D	Chair frame with struts
E	PUR seat with hygiene opening
F	Shower seat
G	Toilet seat
H	Suction feet
I	PUR seat cushion (removable)
J	Height adjustment – support legs/seat height
K	Toilet bucket & lid (for REF. 362.00.31)
L	Bucket holder
M	Nameplate

1.1. Introduction

- The product described here is a medical device of risk class I according to **(EU) 2017/745 MDR**.

- In this user manual, you will find information on the safe and proper initial operation, use, maintenance and care of this product.
- Carefully read this user manual before using the device. Follow the safety instructions and act accordingly.

2. Features

2.1. Intended purpose

Cologne, Kiel – toilet chair

- The product is intended for the care of patients with limited ability to stand. It ensures going to the toilet, even if a conventional toilet or bathroom is out of reach. The patient must have sufficient sitting ability and upper body musculature. If necessary, a nurse must be present during use. The product is not intended for prolonged sitting.

Zwickau, Würzburg – shower chair

- The product is intended for the care of patients with limited ability to stand. It allows you to shower while sitting down. The patient must have sufficient sitting ability and upper body musculature. If necessary, a nurse must be present during use. The product is not intended for prolonged sitting.

Constance, Ulm – shower-toilet chair

- The product is intended for the care of patients with limited ability to stand. It ensures showering while sitting and going to the toilet, even if a conventional toilet or bathroom is out of reach. The patient must have sufficient sitting ability and upper body musculature. If necessary, a nurse must be present during use. The product is not intended for prolonged sitting.

Specification:

- Maximum user weight: 130 kg
- Stable chair
- Height-adjustable legs
- Indoor use

Indication

- If it is impossible for patients to visit a stationary toilet, due to damage to the function of the lower extremities with limited or eliminated mobility and muscle strength and/or damage to the vestibular functions or tendency to fall due to other causes, while at the same time maintaining a sufficiently stable thorax posture for sitting and sufficient residual functions of the upper extremities.
- Objective: Enabling independent or more independent visits to the toilet.

**Example diagnoses:**

- The spectrum of possible diagnoses is extensive. It ranges from general old age weakness to arthritis of the lower extremities.

2.2. Conditions of use

- Temperature range: 5 °C to 35 °C; direct radiant heat on the product must be avoided.
- Relative humidity: 40%-75%. Outside of these conditions, the product must only be used for a short time.
- The product is not suitable for use in swimming pools or saunas, as surface discolouration and limitations of mechanical strength may occur.
- Disassembly for transport or storage is possible.
- There must be a flat surface of sufficient size for the hoist to be placed on. See 14.

2.3. Storage & transport

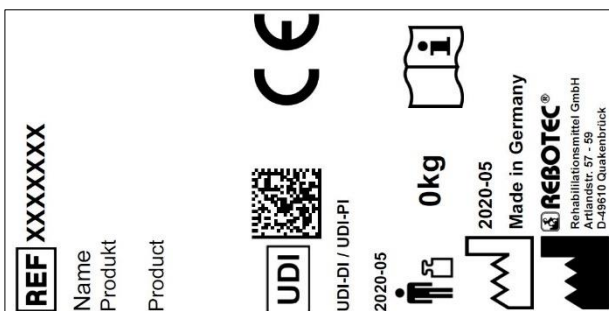
- Temperature range: 5 °C to 25 °C; direct radiant heat on the product must be avoided.
- Store the product in dry rooms with a humidity of up to 65%.
- The shower should be designed so that there is a flat surface of sufficient size.

2.4. Packaging

- We recommend you keep the packaging for a later transport.
- Dimensions: 570 mm x 640 mm x 570 mm

2.5. Disposal

- Disposal and recycling of used products and packaging must be carried out in accordance with currently valid regulations. Please contact a disposal company for further information.
- The Infection Protection Act must be observed.
- Please observe any labels and information on packaging material and act accordingly.

3. Symbols & nameplates**Figure similar.**

The nameplate must not be removed!

For ordering spare parts and processing complaints, the device name, serial number and year of manufacture will be required.

Symbol	Meaning	Symbol	Meaning
	Read the manual!		Year of manufacture of Device
SN	Serial number		<i>Important information!</i>
REF	Article number		<i>Maximum user weight in kg</i>
	Care instructions		Maintenance instructions
	Applicable for indoor use only.		Manufacturer
	Visual signal	EN	Language
	Read the User Manual!		Do not dispose of as household waste.
CE	Product complies with (EU) 2017/745 MDR		
	Caution! Observe the safety instructions		
UDI	Unique Device Identifier (Data: GTIN / LOT (SN) / year of manufacture)		
MD	Medical device label This product is a medical device.		

4. Safety instructions

Please observe the following safety instructions:

- Before using the device for the first time, the User Manual must be read completely in order to avoid hazards or damage caused by maloperation.
- Before each use, check the device for visible damage or deficiencies.
- In case of malfunctions or damage of any kind, the device must not be used.

Caution: Danger of falling!

- Sitting down, getting up, transferring of a patient should be done under supervision or with the help



of a trained caregiver, depending on the patient's state of health.

- Patients who are prone to uncontrolled actions or movements must be supervised when using the chair.

Caution: Danger of breakage!

- The product is only suitable as a seat for persons. Observe the permitted user weight.
- Do not expose the product to great temperature fluctuations.

Caution: Danger of tipping over!

- The chair must only be used with the armrests locked in place when sitting and moving about.
- Only use the product indoors and on flat, skid-proof surfaces.
- Do not lean out of the chair.
- With a height-adjustable chair, pay attention to the corresponding adjustment instructions.
- Adjust all 4 chair legs to the same seat height.
- Do not use the chair if the suction feet are damaged.

Caution: Danger of pinching or catching!

- When folding the armrests up or down, do not reach into the joint guide so that no parts of the body or other objects are trapped. To this end, also see 9 on page 6.
- When attaching the seat plate, do not reach between the seat surface and the seat frame so that no body parts are trapped.
- When pulling out and pushing in the toilet bucket, there is a risk of trapping soft tissue of the patient. To prevent injuries, the bucket may only be pulled out or pushed in when no user is sitting in the chair.

Caution: Risk of injury!

- There is a risk of injury with surface temperatures > 40 °C. Therefore, do not expose the product to high temperatures (e.g. sunlight, radiators, hot water). Allow the product to cool down before use.



If the product is used by patients with insensitive skin (no temperature perception or skin damage), a heat check (e.g. touching with the back of the hand) must be carried out by the nursing staff.

5. Incident reporting

- Serious incidents in connection with the product must be reported immediately to the manufacturer and BfArM.

- BfArM: www.bfarm.de/DE

- Use the reporting functions and provided forms.

- Manufacturer: pms@rebotec.de

6. Warranty

- For this product the manufacturer grants a warranty of 12 months. Compliance with the general terms and conditions (www.rebotec.de/agbs), as well as the intended use, are a basic prerequisite. The statutory warranty provisions shall apply.
- Unauthorised modifications to this product will void the product's conformity and the warranty.

6.1. Complaint

- Please contact us before returning the product.
- To reduce transport damage, use the original packaging if possible.
- The Infection Protection Act must be complied with.
 - Please make sure that the product does not pose a risk of infection when returned.
 - Enclose the information sheet on safety with the product.
 - Costs may incur for returns that are not marked non-objectionable.

7. Reuse, lifetime

- The product is suitable for reuse. How often the product can be reused depends on the frequency and nature of use.
- Before reuse, the product must be reprocessed hygienically and the technical and functional safety and reliability of the product must be checked and restored if necessary. See 12.
 - For more detailed information, please see the reprocessing instructions (02.12.156) and the maintenance instructions (02.11.150).
 - The documents can be downloaded from the following link.
 - www.rebotec.de/downloads
- If the product is used as intended, its lifetime is 5 years. The effective lifetime may vary depending on the frequency and intensity of use and the general condition.

8. Scope of delivery

- 1x shower/toilet chair

- 1x user manual (02.06.083)
- 1x maintenance instructions (02.11.150)
- The reprocessing and maintenance instructions can be ordered or viewed and downloaded at www.rebotec.de/downloads.

9. Setting up for use

- The product has been carefully inspected in the factory for freedom from defects and completeness. Please check the product for any possible damage which may have occurred during transport and for completeness of the scope of delivery upon receipt.

9.1. Assembling the armrests



- Swivel the armrest backwards, place the backrest on the tubes of the chair frame and push it onto the base frame as far as it will go.

- Swivel the armrests forwards again so that they engage in the groove on the backrest and with the locking bolt in the base frame.

lock bolt in the base frame.

- For chairs with a height adjustment, the seat height is in the lowest setting (basic position) on delivery. Adjust the seat height if necessary.



10. Product data

- We reserve the right to make technical developments and improvements with respect to the design shown in this User Manual.
- See 14.

Characteristic		Value
Cologne		
1.	User weight	max. 130 kg
2.	Product weight*	11.2 kg
3.	Total weight*	13.6 kg
Skin compatibility		DIN EN 10993-1/-5

*Without accessories

Characteristic		Value
Zwickau		
1.	User weight	max. 130 kg

Characteristic		Value
2.	Product weight*	9,2 kg
3.	Total weight*	11.6 kg
Skin compatibility		DIN EN 10993-1/-5

*Without accessories

Characteristic		Value
Constance		
1.	User weight	max. 130 kg
2.	Product weight*	12.4 kg
3.	Total weight*	14.8 kg
Skin compatibility		DIN EN 10993-1/-5

*Without accessories

Characteristic		Value
Kiel		
1.	User weight	max. 130 kg
2.	Product weight*	11.2 kg
3.	Total weight*	13.6 kg
Skin compatibility		DIN EN 10993-1/-5

*Without accessories

Characteristic		Value
Würzburg		
1.	User weight	max. 130 kg
2.	Product weight*	9.2 kg
3.	Total weight*	11.6 kg
Skin compatibility		DIN EN 10993-1/-5

*Without accessories

Characteristic		Value
Ulm		
1.	User weight	max. 130 kg
2.	Product weight*	12.4 kg
3.	Total weight*	14.8 kg
Skin compatibility		DIN EN 10993-1/-5

*Without accessories

11. Operation of the product

- Before use, it must be ensured that the product is in proper condition. If defects or malfunctions are evident, the product must not be used. Have the defects corrected by a specialist dealer before use.



If necessary, depending on the patient's limitations (adequate mobility and muscle strength), sitting down and getting up must be done with the help of a caregiver. Subsequent adjustments may only be made by qualified personnel.

11.1. Sitting down

- Before sitting down, make sure that the chair is secure against slipping away and tipping over, the armrests are correct, the armrests are properly engaged, the shower/toilet seat is firmly in place.

11.2. Sitting down

1.



The user must position themselves as close as possible to the product. If necessary, they can orientate or support themselves with their hands on the armrests.

If this is not possible due to their physical limitations, the user must seek the assistance of a competent person. This can be done with the help of an assistive device.



Attention: Danger of falling!

2.



Avoid slumping down on the chair seat. The patient should sit on the full seat surface, if possible, and not only on the edge of the seat.

When sitting, fully lean against the backrest.

11.3. Getting up

- Before getting up, make sure that the chair is secure against slipping away and tilting and the armrests are properly engaged.
- The patient must move forward on the chair so that their feet are on the floor.

3.



The patient must then support themselves with their arms on the armrests and slowly rise from the seat.

Do not lean your body too far forward to avoid the risk of falling.

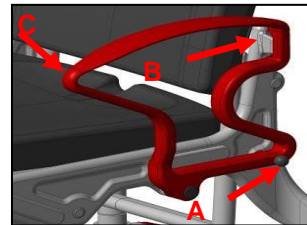
The patient should be helped to stand up by a caregiver.

11.4. Swivelling down the armrests

- Pulling out the locking bolts (A) releases the locking mechanism and the armrests can be swivelled backwards. When folding up the armrest, check that the catch on the backrest (B) and the locking bolt (A) are seated correctly.

Caution: Danger of pinching or catching!

- The armrests can be swivelled with both hands. To do this, keep the locking bolt (A) pulled during the entire swivelling process and guide the armrest to point (C) with the other hand.



Check the locking at regular intervals, as possible limescale deposits on the locking mechanism can impair function and smooth operation.

11.5. Removing the shower/ toilet seat

- The seat can be removed from its locked position on the chair frame by lifting it off for cleaning or replacement.

11.6. Handling of the toilet bucket

From the back of the chair, slide the toilet bucket under the seat. To remove, slightly lift the bucket and then pull it out backwards.

- In the version with a 2-section toilet seat, you can alternatively insert or remove the toilet bucket from above by lifting the seat.

11.7. Seat height adjustment for the Kiel, Würzburg and Ulm models

- The chair is height-adjustable to set the seat height for the patient or to allow for the chair to be slid over a raised toilet bowl.
- The height adjustment (2 positions: 25 mm each) is done via the 4 wheel inserts in the chair frame



Caution: Danger of tipping over!
Make sure that all four inserts are set at the same height and that the screws are hand-tightened.

- For adjustment, we recommend placing the chair sideways on a flat surface. Remove the toilet bucket (if used) and the seat cover.

- Use an Allen key (SW 5) to loosen the screw (counter-clockwise rotation) in the frame completely. When loosening the bolt, press against the self-locking nut (bottom side).



- Pull the stand insert out or push it in until the hole pattern coincides with the next setting level.
- Screw the stand insert back on using the safety nut (clockwise rotation) on the rear.

11.8. Troubleshooting

Fault	Possible cause	Remedy
Armrest cannot be swivelled down	Deposits in the locking device (locking bolt)	Cleaning, checking regularly
Locking bolt cannot be pulled out	Deposits, tension spring jammed or defective	Cleaning, replacing the locking bolts
Chair wobbles	Suction feet worn or damaged	Replace suction feet (always in pairs!)
Chair wobbles	Height adjustment of stand inserts. Different height setting	Inspection: Correct setting
Stand insert height adjustment jammed	Deposits	Pull out and clean insert
Chair frame too unstable	Screw connections too loose	Tighten the screw connection on the frame and legs
Chair frame or other parts defective	Overload, wear	See maintenance!

12. Care and maintenance

12.1. Cleaning and care



The product can be cleaned using a mild conventional cleaning and disinfecting agent. After cleaning, wipe the product with a clean, moist cloth and then wipe it dry with a dry cloth.

- Do not use scouring agents or cleaning agents with aggressive ingredients (acids, thinners), as well as hard cleaning objects (brushes), as otherwise the surfaces may be damaged or deposits may form on the materials.



Keep the product clean and clean it regularly. Special attention must be paid to hygiene in the sensitive areas.

- The product is suitable for manual cleaning and disinfection. Please observe the reprocessing instructions (02.12.156).

12.2. Maintenance

- Wear and tear that is not recognised in time and/or improper handling, as well as irregular or no maintenance may result in accidents.



*For safety reasons, the product must be professionally maintained at **least once a year**.*

- Check product for visible damage
 - (cracks, breakage, loose parts)
- Check stability before use
- If you have any questions concerning the maintenance of the product, please contact an authorised dealer or a medical and healthcare supplies store.
- In the event of damage and/or repairs, contact your authorised dealer immediately.
- Never attempt **any** unauthorised modifications or conversions to the product. These may impair the safety and proper functioning of the product. **In such cases, REBOTEC will not assume any liability.**
- Only use OEM spare parts for repairs. See 6.
- Please note section 13 and 7.
- After maintenance or repair work has been carried out, we recommend you clean the product before using it again.
- Please observe the maintenance instructions (02.11.150).

13. Spare parts & accessories



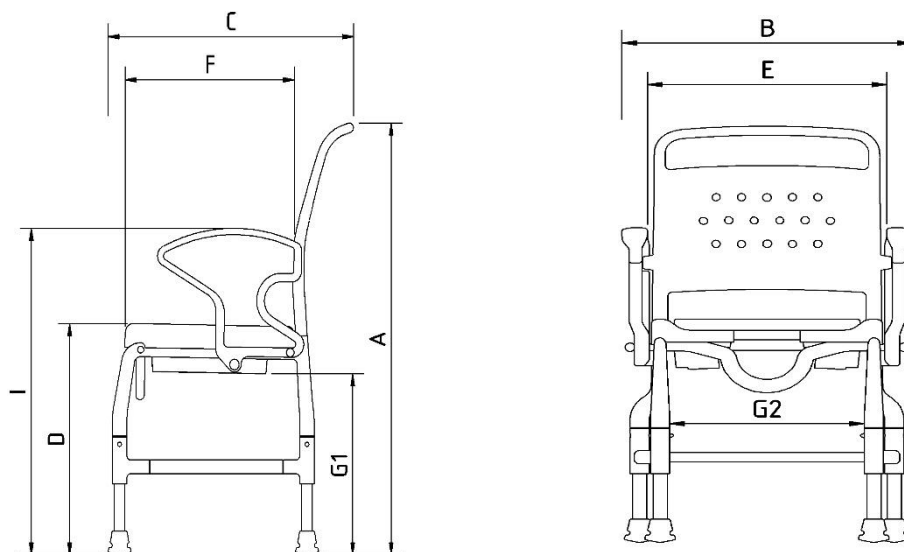
No.	Art. no.	Designation
1	301.00	Toilet bucket, standard
2	307. *	Toilet seat
3	169. * 30	Suction foot 30 mm
4.	440.00.15	Backrest
5.	440. * .62	PUR lining mat for shower and toilet seat
-	440. * .04	PUR shower seat incl. bucket holder
-	308.54	Shower seat, standard
-	02.06.083	User Manual
-	02.12.156	Reprocessing Instructions
-	02.11.150	Maintenance Instructions

* Specify colour



Use only REBOTEC spare parts and accessories to ensure the proper and safe functioning of the device.

14. Drawing & dimensions



No.	Designation	Cologne – dimensions / mm	Kiel – dimensions / mm
A	Height	1010	990-1040
B	Width	570	570
C	Depth	630	630
D	Seat height	520	510-560
E	Seat width	460	460
F	Seat depth	450	450
G1	Slide-over height *	440	430-470
G2	Slide-over height *	480	460-510

* G1= with bucket holder, G2= without bucket holder

Manufacturing tolerances for the dimensions: +/- 5 mm

No.	Designation	Zwickau – dimensions / mm	Würzburg – dimensions / mm
A	Height	1010	990-1040
B	Width	570	570
C	Depth	630	630
D	Seat height	510	500-550
E	Seat width	460	460
F	Seat depth	450	450
G1	Slide-over height *	430	420-470
G2	Slide-over height *	480	460-510

* G1= with bucket holder, G2= without bucket holder

Manufacturing tolerances for the dimensions: +/- 5 mm

No.	Designation	Constance – dimensions / mm	Ulm – dimensions / mm
A	Height	1010	990-1040
B	Width	570	570
C	Depth	630	630
D	Seat height	540	520-570
E	Seat width	460	460
F	Seat depth	450	450
G1	Slide-over height *	430	410-460
G2	Slide-over height *	480	460-510

* G1= with bucket holder, G2= without bucket holder

Manufacturing tolerances for the dimensions: +/- 5 mm

Dimensions and weights may vary depending on the equipment. There might be minor deviations due to production tolerances. Subject to change without notice.





REBOTEC® Rehabilitationsmittel GmbH
D-49610 Quakenbrück, Artlandstr. 57-59
Telephone: +49 (0) 5431/9416-
Fax: +49 (0) 5431/9416-66
Web: www.rebotec.de
Email: info@rebotec.de

